

LSWF1

Applications

Full cutoff light output is ideal for exterior walls, entrance ways, pathways and steps. The HARRIS LSWF1 delivers energy savings and reduced maintenance costs and ideally replace any existing traditional style HID wall packs with similar look and size. It is the ultimate flexible wall pack fixture with lumen output and color temperature selection at the point of installation.

| | |
|-----------------|--|
| Project Name: | |
| Catalog Number: | |
| Type: | |
| Note: | |
| Date: | |



LSWF1A1UNVFD8CSBR-SP



Construction & Design

- Die-cast aluminum housing with UV stabilized powder coat finish for harsh outdoor environments. Bronze fixture housing color is standard. Black and white fixture housing colors available
- UV resistant polycarbonate lens
- Two fixture sizes with selectable power/lumens between 3,000-18,000 lumen outputs provide flexibility to adjust in the field
- 80 CRI minimum; CCT selectable between 3000K, 4000K or 5000K
- Latest generation of LED technology enables fixture to run at lower wattages resulting in additional energy savings
- Meets full cutoff requirements at 90° horizontal

Additional Options

- Battery back up option available [90 minutes; A1 lumen package only]

Electrical

- Available in 120v-277v
- 0-10v Continuous Dimming
- Power Factor >0.90
- Total Harmonic Distortion < 20%
- 10kV/5kA Surge Protection Standard

Lumen Maintenance

See lumen maintenance table on page 2

Control and Sensor Options

- Integrated photocell standard
- Field installed control and sensor options

Fixture Certifications & Listings

- cUL/cULus Listed
- UL Wet Listed
- Dark Sky Compliant. 3000K must be selected to meet International Dark-Sky Association approval criteria
- DesignLights Consortium™ Premium qualified luminaire
- Visit the [DLC QPL](#) for listed models

Warranty

See Orion's [Product Limited Warranty](#) for more details and information

LSWF1

Performance Information, 277v, ≥80 CRI¹

| Nominal Lumen Code | Wattage | 3000K | | 4000K | | 5000K | | Input Current |
|--------------------|---------|---------------|-----|---------------|-----|---------------|-----|---------------|
| | | Actual Lumens | LPW | Actual Lumens | LPW | Actual Lumens | LPW | |
| A1 | 24w | 2,995lm | 125 | 3,102lm | 129 | 3,059lm | 128 | 0.09A |
| | 30w | 3,555lm | 118 | 3,682lm | 123 | 3,631lm | 121 | 0.11A |
| | 40w | 4,782lm | 120 | 4,953lm | 124 | 4,885lm | 122 | 0.14A |
| B1 | 45w | 6,013lm | 134 | 6,768lm | 150 | 6,674lm | 148 | 0.16A |
| | 54w | 7,237lm | 134 | 8,146lm | 151 | 8,033lm | 149 | 0.19A |
| | 70w | 8,779lm | 125 | 9,881lm | 141 | 9,745lm | 139 | 0.25A |
| | 80w | 9,657lm | 121 | 10,870lm | 136 | 10,719lm | 134 | 0.29A |
| C1 | 83w | 11,480lm | 138 | 11,890lm | 143 | 11,726lm | 141 | 0.30A |
| | 111w | 14,614lm | 132 | 15,137lm | 136 | 14,928lm | 134 | 0.40A |
| | 150w | 18,421lm | 123 | 19,080lm | 127 | 18,816lm | 125 | 0.54A |

Lumen Maintenance²

| Nominal Lumen Code | Calculated Lumen Maintenance | | |
|--------------------|------------------------------|---------|---------|
| | L70 | L80 | L90 |
| A1 | 372,000 | 228,000 | 101,000 |
| B1 | 372,000 | 228,000 | 101,000 |
| C1 | 372,000 | 228,000 | 101,000 |

Additional Specification Information

¹ Actual performance may vary by up to ±10% of values listed; facility factors and fixture options can affect performance values.

² Calculated hours based on TM-21 projections and components used at the time of testing. Warranty is not associated with Calculated Lumen Maintenance

LSWF1

Ordering Information Example (NOTE: No dashes or spaces unless noted below)

LSWF1C1UNVFD8CSBR-SP

Ordering Information

| Series | Nominal Lumen Code ³ | Voltage | Driver Type | CRI; Color Temp | Fixture Colors | Fixture Options | Packaging Options |
|--|---|--------------------------|--|---|--|--|----------------------------|
| LSWF1= HARRIS LED Lumen Selectable Wall pack, Full Cutoff, Gen 1 | A1= Lumen Selectable 3,000 lm/ 4,000 lm/ 5,000 lm B1= Lumen Selectable 6,000 lm/ 7,000 lm/ 9,000 lm/ 10,000 lm C1= Lumen Selectable 12,000 lm/ 15,000 lm/ 18,000 lm | UNV= 120v-277v | FD= Factory Wired for Dimming Applications | 8CS= 80CRI; Color Selectable 3000K/ 4000K / 5000K | BR= Bronze BL= Black* WH= White* *Note: These fixture colors are special order and have longer lead times | [Blank]= No Options BB= Battery Back Up* ⁴ *Note: Available with A1 model only | -SP= Single Pack |

Fixture Options (Field Installed)

| Sensor Options | |
|------------------------------------|---|
| EXT-LSW-MS-KIT-A1 | Microwave Sensor Kit, A1 fixtures only ⁴ |
| EXT-LSW-PIR-KIT-A1 | PIR Sensor Kit, A1 fixtures only ⁴ |
| EXT-LSW-MS | Microwave Sensor, B1/C1 fixtures only ⁴ |
| EXT-LSW-PIR | PIR Sensor, B1/C1 fixtures only ⁴ |
| EXT-LSW-RC | Sensor Remote Control |



Microwave Sensor
(EXT-LSW-MS)



PIR Sensor
(EXT-LSW-PIR)

Additional Specification Information

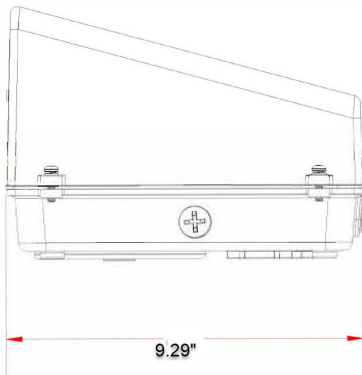
³ For actual lumens, see performance table

⁴ Sensor options are only approved for use when using the max lumen switch position. Power usage and dimming levels are only accurate with the max lumen switch position

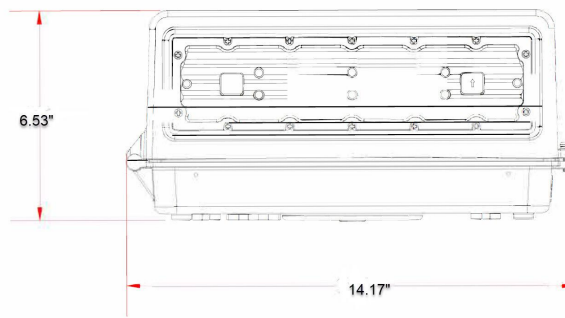
Physical Information⁵

| Nominal Lumen Code | Height | Width | Depth | Weight |
|--------------------|--------|--------|-------|-----------|
| A1/B1 | 9.29" | 14.17" | 6.53" | 7.50lbs. |
| C1 | 9.29" | 14.17" | 9.65" | 11.20lbs. |

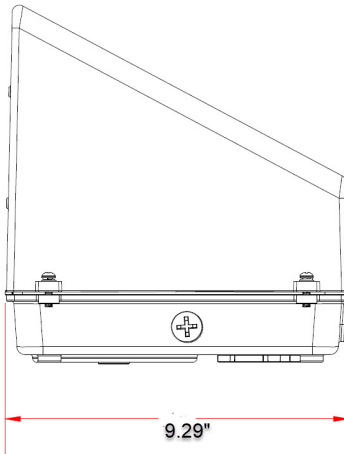
A1/B1 Height



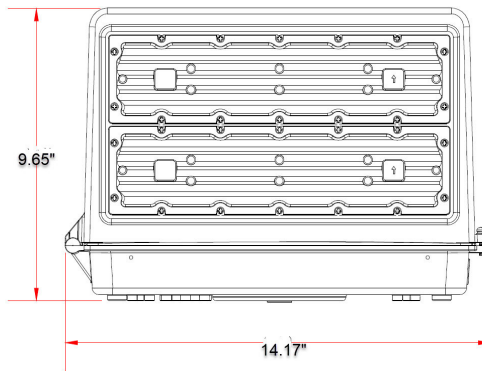
A1/B1 Width and Depth



C1 Height



C1 Width and Depth



Additional Specification Information

⁵ Weight will vary based on option selection

Ambient Operating Temperatures

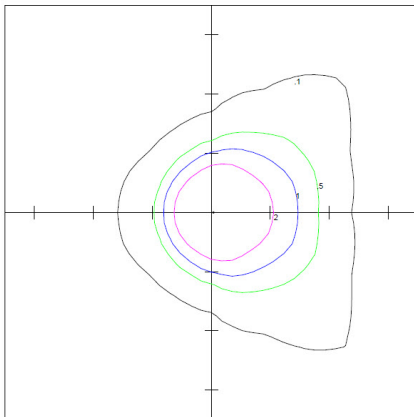
| Nominal Lumen Code | Standard Range | With Battery Back Up |
|--------------------|--------------------------------|-------------------------------|
| All Lumen Packages | -40°C to 50°C [-40°F to 122°F] | -20°C to 50°C [-4°F to 122°F] |

| Sensor Type | Operating Range |
|-------------|--------------------------------|
| All Sensors | -30°C to 50°C [-22°F to 122°F] |

Photometrics

Visit orionlighting.com to obtain all .IES files

C1 850



Distance are in Units of Mounting Height
 Mounting Height 30'
 Max. Calculated Value: 8.09 FC