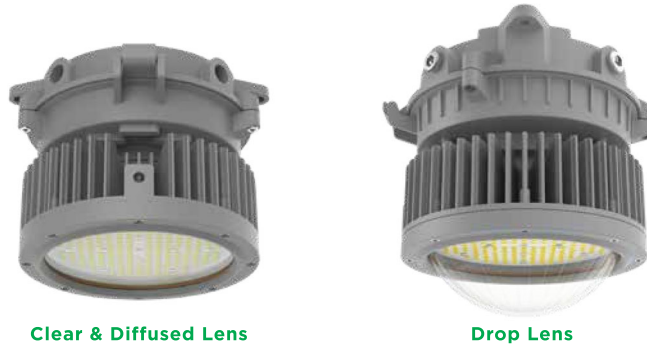


PROJECT: _____ CATALOG # _____ NOTES: _____ FIXTURE SCHEDULE: _____

HIGHBAY

HLRM SERIES - CID2



Clear & Diffused Lens

Drop Lens

FEATURES:

- 3000K, 4000K, 5000K
- Customizable offering with clear, diffused and drop lens option
- Efficacy up to 150 lm/W

DIMMING:

- 120-277V option available with 0-10V dimming (10%)
- 347-480V option available with 0-10V dimming (10%)

MOUNTINGS:

- Indoor Pendant, Yoke, Ceiling, Wall and Stanchion Mount
- Outdoor Yoke / Slipfitter Mount

LISTINGS:

- Class I, Division 2, Groups A, B, C, D
- Class II, Division 1, Groups E, F, G
- Class II, Division 2, Groups F, G
- Class III, Division 1
- Marine Grade
- 1000 hours salt spray testing
- IK08
- IP66
- FCC
- 5G Vibration rating per ANSI C136.31-201

CONSTRUCTION:

- Die cast aluminum body and impact resistant tempered glass lens
- Stainless steel exposed fasteners
- High temperature silicone gasketing

CONTROLS READY:

Luminaire Level Lighting Control (LLLC), individual addressability and/or grouping, ability to create scenes and high-Trim/ tuning sets is available and enabled on the product family with wireless Bluetooth technology via the field installable c-Max Network power pack. The power pack needs to be installed in a non hazardous area.

WARRANTY:

5-year standard warranty* (further details available at www.maxlite.com/warranties)

*Product may be eligible for a warranty extension to 10 years, for an additional fee. Contact MaxLite for details.

| MODEL SELECTION | | | | | | | |
|-------------------------------|--|----------------------------|---------------------|--|--|---|---------------|
| HLRM | | | | | | | |
| FAMILY | NOMINAL WATTAGE | VOLTAGE | DISTRIBUTION | LENS | CCT | MOUNTING | FINISH |
| HLRM= Medium Size Round, CID2 | 80= 80W 120= 120W 150= 150W 200= 200W | U= 120-277V H= 347-480V | [Blank]= Wide, 110° | [Blank]= Clear Glass D ^{1,2} = Diffused Glass L ^{1,2} = Low Bay/ Drop lens ¹ | [Blank]= 5000K 40 ^{1,2} = 4000K 30 ^{1,2} = 3000K | [Blank]= Universal, Ceiling and Pendant | [Blank]= Grey |

1. Not DLC Listed
2. Consult factory for lead times

| MODEL # | DLC ID # |
|---------------------------------|--------------|
| HLRM80U[blank, U][blank, BL] | PLEOMFRKIT3U |
| HLRM80U40[blank, U][blank, BL] | PLIZUEMXXWME |
| HLRM120U[blank, U][blank, BL] | PLQJ8F4AJDXN |
| HLRM120U40[blank, U][blank, BL] | PL9RAA148MYE |

| MODEL # | DLC ID # |
|---------------------------------|--------------|
| HLRM150U[blank, U][blank, BL] | PLA6K4QZ15OE |
| HLRM150U40[blank, U][blank, BL] | PLIKVHJ2V8X9 |
| HLRM200U[blank, U][blank, BL] | PLB1ZRL5B9Q0 |
| HLRM200U40[blank, U][blank, BL] | PLROWHPJFBZS |

PROJECT: _____ CATALOG # _____ NOTES: _____ FIXTURE SCHEDULE: _____

HIGHBAY

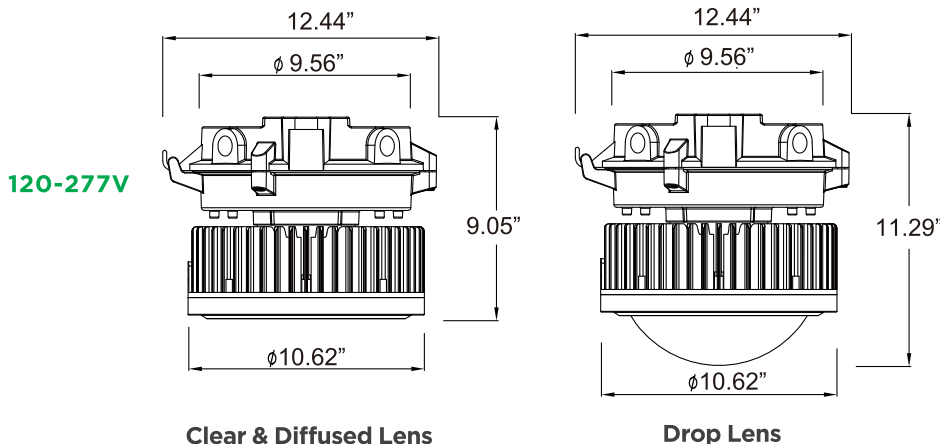
HLRM SERIES - CID2

SPECIFICATIONS:

| | HLRM80 | HLRM120 | HLRM150 | HLRM200 |
|------------------------|--|----------------|----------------|----------------|
| SPECIFICATION | DETAILS | | | |
| Input Power (W) | 80 | 120 | 150 | 200 |
| Lumens Delivered (lm)* | 12,000 | 18,000 | 22,500 | 30,000 |
| Equivalency | 320W MH | 450W MH | 600W MH | 750W MH |
| Efficacy (lm/W) | 150 | 150 | 150 | 150 |
| CRI | ≥70 | | | |
| CCT (K) | 3000K, 4000K, 5000K | | | |
| L70 Lifetime (Hrs) | ≥50,000 | | | |
| Voltage | 120-277V and 347-480V with 0-10V Dimming, 10% | | | |
| Surge Suppressor | 6kV | | | |
| Power Factor | ≥0.90 | | | |
| Housing | Copper-Free Aluminum | | | |
| Lens Material | Glass | | | |
| Mounting | Universal mounting for pendant, Yoke Mount, Ceiling, Wall, Stanchion Mount | | | |
| Operating Temperature | -40°F to 149°F | -40°F to 149°F | -40°F to 140°F | -40°F to 131°F |
| Temperature Code | T4A | | | |
| Listings | cETLus Classified, FCC, IP66, CID2; CIID1; CIID2, CIII, Marine Grade | | | |
| Environment | Wet locations, Indoor | | | |
| Warranty | 5-year standard warranty* | | | |

1. Measured at 5000k on wide lens clear glass option

PRODUCT DIMENSIONS:



PROJECT: _____ CATALOG # _____ NOTES: _____ FIXTURE SCHEDULE: _____

HIGHBAY
HLRM SERIES - CID2

ACCESSORIES TABLE (SOLD SEPARATELY):

| MODEL | DESCRIPTION | DIMENSIONS |
|----------|--|------------|
| HLM22G | HLRM Series, Stanchion 25° (1-1/2 NPT) Mount Bracket | |
| HLM24G | HLRM Series, Stanchion 25° (1-1/4 NPT) Mount Bracket | |
| HLM92G | HLRM Series, Stanchion 90° (1-1/2 NPT) Mount Bracket | |
| HLM94G | HLRM Series, Stanchion 90° (1-1/4 NPT) Mount Bracket | |
| HLRMW90G | HLRM Series, Wall Mount 90° Bracket, AL, NPT 3/4", Grey | |
| HLRMWG | HLRM Series, Wire Guard for Drop Lens | |
| HLRMFG | HLRM Series, Wire Guard for Flat Lens | |

PROJECT: _____ CATALOG # _____ NOTES: _____ FIXTURE SCHEDULE: _____

HIGHBAY
HLRM SERIES - CID2

ACCESSORIES TABLE (SOLD SEPARATELY):

| MODEL | DESCRIPTION | DIMENSIONS |
|--------|---|------------|
| HLRMYB | Yoke Bracket, Medium Size, Stainless Steel | |
| HLRSC | Safety Cable , HLR Series | |
| HL-TA | 2-3/8 INCH TENON ADAPTOR - GREY FINISH | |