

PROJECT NAME: \_\_\_\_\_ CAT. #: \_\_\_\_\_  
 NOTES: \_\_\_\_\_ FIXTURE SCHEDULE: \_\_\_\_\_

# Linear Class I Division II Emergency

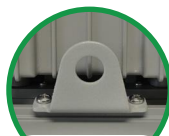
## HL-LI Series



2FT



4FT  
(WITH YOKE BRACKET)



Second Retention Point

### Product Description:

The HL-LI SERIES is a linear LED luminaire engineered to stand up to the toughest operating conditions in Class I Division 2 environments such as petroleum refineries and grain processing facilities. A slim and lightweight profile and variety of mounting options enable this long-lasting, high-performance fixture to address virtually any lighting need in harsh and hazardous locations.

### Classifications and Ratings:

- Class I, Division 2, Groups A,B,C,D
- Class II, Division 1, Groups E, F, G
- Class III, Division 1
- 1000 hours Spray Testing
- IK08
- IP66
- FCC

### Electrical:

- 120-277V
- Power Factor: >0.90

### Construction:

- Die cast AA6063 aluminum housing
- Stainless steel hardware
- Polyester powder coat finish
- Polycarbonate lens

### Mounting Options:

- Ceiling Mount
- 3/4" NPT Pendant Mount
- Pipe Mount
- Second Retention point standard (Order the safety cable separately)

## Ordering Information

FAMILY	-	SUB FAMILY	LENGTH	NOMINAL WATTAGE	VOLTAGE	DISTRIBUTION	CCT	OPTIONS
HL= Hazloc		LI= Linear	24= 24" 48= 48"	40= 40W 80= 80W	U= 120-277V	BLANK= Wide, transparent lens	BLANK= 5000K 40'= 4000K 30'= 3000K	EMO= Battery Backup, 0° C

<sup>1</sup>Made to order

## Stocked Items

MODEL NUMBER	ORDER CODE
HL-LI2440UEM0	108257
HL-LI4880UEM0	108260
HL-LI4880U	1409549

## Accessories

MODEL NUMBER	ORDER CODE	DESCRIPTION	IMAGE
HLLITB	103015	HL-LI LINEAR TRUNION BRACKET, CEILING/WALL MOUNT	
HLLISC	106063	HL-LI LINEAR SAFETY CABLE, 3FT LONG, FOR SECOND RETENTION POINT BRACKET	

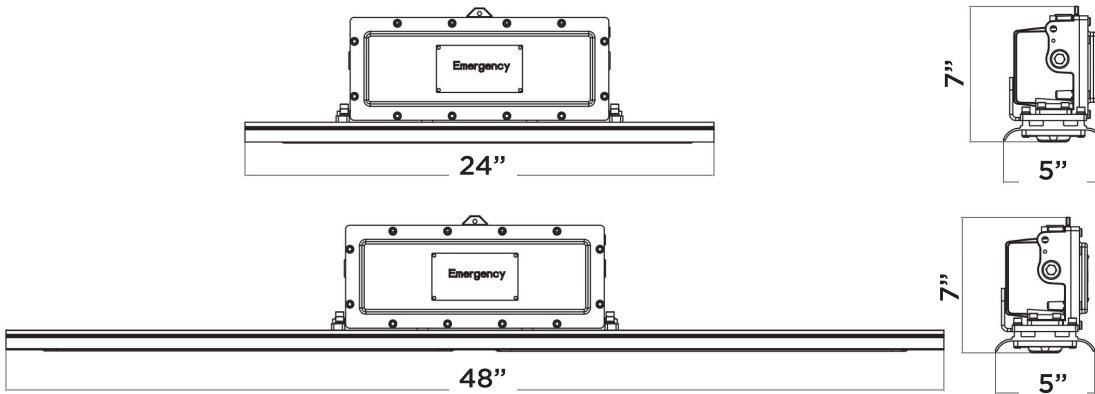


**5-year standard warranty** (further details available at [www.maxlite.com/warranties](http://www.maxlite.com/warranties))  
 Product may be eligible for a warranty extension to 10 years, for an additional fee. Contact MaxLite for details.

# Linear Class I Division II Emergency HL-LI Series

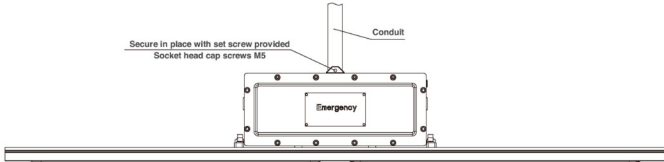
Specifications	HL-LI2440	HL-LI4880	EM Mode
Input Power (W)	40	80	12
Lumens Delivered (lm)	5480	10960	2200
Efficacy (lm/W)	137	137	183
CRI		≥70	
Color Temperature		3000K, 4000K, 5000K	
L70 Lifetime (hrs)		≥54,000	
Input Voltage		120-277V	
Power Factor		≥0.9	
Housing		Die cast AA6063 aluminum	
Operating Temperature		32°F - 122°F (0°C - 50°C)	
Temperature Mode	CID2: T4A, CIID1: T6	CID2: T4, CIID1: T6	
Certification		UL 924, UL 844, UL1598, FCC	
Environment		IP66	
Material Usage		RoHS compliant; no mercury	
Warranty		5 years	

## Dimensions

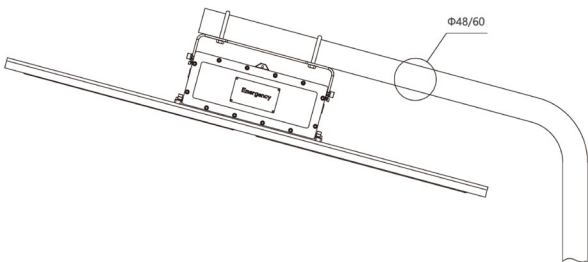


## Mounting Options

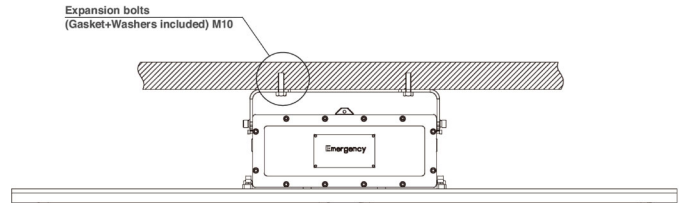
\*Comes standard as a Pendant Mount configuration. Yoke bracket is sold as an accessory. For other variations, mounting hardware is not provided by MaxLite.



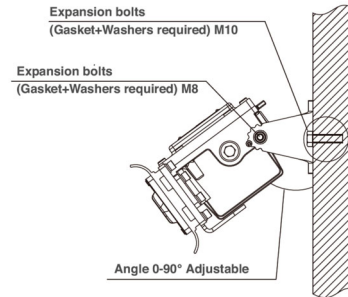
Pendant Mount



Stanchion Mount



Ceiling Mount



Wall Mount