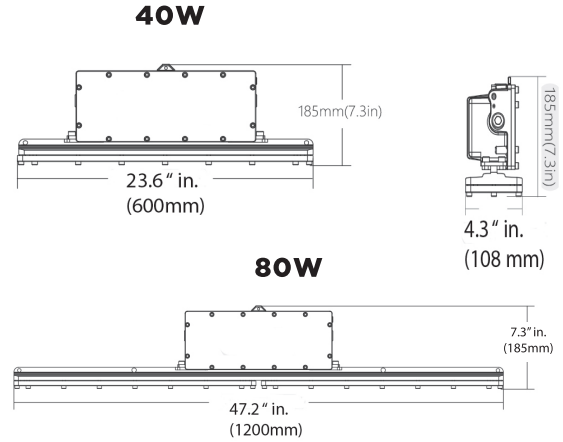


LINEAR CLASS I DIVISION 1 | HL-LI SERIES



The **HL-LI SERIES** is a linear LED luminaire engineered to stand up to the toughest operating conditions in **Class I Division 1** environments made hazardous by the presence of flammable vapors or gases or combustible dusts. A slim and lightweight profile and variety of mounting options enable this long-lasting, high-performance fixture to address virtually any lighting need.



CLASSIFICATIONS & RATINGS:

- UL 844
- Class I, Division 1, Groups C, D
- Class I, Division 2, Groups A, B, C, D
- UL 1598 Wet Locations
- UL1598A Marine Grade
- 1000 hours Spray Testing

FEATURES:

- Slim and compact design
- Second retention point integral to fixture
- Operating temperature: -40°C - 60°C (-40°F to 140°F)

CONSTRUCTION:

- Copper Free aluminum housing
- Stainless steel hardware
- Thermal shock and impact resistant PMMA tempered glass lens

MOUNTING:

- Ceiling/Wall Mount
- Pendant Mount
- Stanchion Mount
- Hanging Chain Mount

APPLICATIONS:

- Mining Sites/Heavy Industries
- Storage Facility/Paper Mills
- Wastewater Treatment Plants
- Loading Docks/Platforms/Shipyards
- Chemical Processing Facility
- Petrochemical Processing Facility

WARRANTY:

5-year standard warranty* (further details available at www.maxlite.com/warranties)

*Product may be eligible for a warranty extension to 10 years, for an additional fee. Contact MaxLite for details.

MODEL SELECTION Typical order example: HL-LI2440UP-D1										
HL	-	LI						P	-	D1
FAMILY	-	SUB FAMILY	LENGTH	NOMINAL WATTAGE	VOLTAGE	DISTRIBUTION	LENS	CCT	MOUNTING	CLASSIFICATION
HL=Hazardous Location	-	LI=Linear, Gray finish	24 = 24"	40 = 40W	U= 120-277V H= 277-480V ¹	[Blank]= Wide, 110°	[Blank]= Clear	[Blank]= 5000K	P=Pendant Mount	D1=CIDI
			48 = 48"	80 = 80W		N= Narrow, 60° T=Type II ¹	D= Diffused ^{1,2}	40= 4000K ¹ 30= 3000K ¹		



¹Consult factory for lead times

²Only available in 5000K and wide distribution

LINEAR CLASS I DIVISION 1 | HL-LI SERIES

STOCK ITEMS TABLE		
ORDER CODE	ITEM #	DLC ID #
103013	*HL-LI2440UP-D1	PLCVUEG3YYDU
103014	*HL-LI4880UP-D1	PL4ALATGI23Z

*DLC Listed

ACCESSORIES		
ITEM #	ITEM DESCRIPTION	ITEM IMAGE
HLLITB	Linear CID1, Trunnion bracket, Ceiling/Wall Mount	
HLRSC	SAFETY CABLE, STAINLESS STEEL, 3.28FT LONG	

SPECIFICATIONS:

ITEM	SPECIFICATION	HL-LI2440UP-D1	HL-LI4880UP-D1
		DETAILS	
GENERAL PERFORMANCE	Input Power (W)	38W	80W
	Lumens Delivered (lm)	4,470	9,250
	Efficacy (lm/W)	up to 117	
	CRI	> 70	
	Lumen Maintenance (L90, TM-21 @ 25°C)	>100,000	
	Color Temperature	3000K, 4000K, 5000K	
	Spacing Criteria	Available upon request	
ELECTRICAL	Power Factor	>0.95	
	Input Voltage	120-277V, 347-480V	
PHYSICAL	Weight	7.3kg/16.1lbs	10.8kg/23.8lbs
	Dimensions	23.6" x 7.3" x 4.3"	47.2" x 7.3" x 4.3"
	Humidity	5% - 95% RH, non-condensing	
	Operating Temperature	-40°C - 60°C (-40°F - 140°F)	
	Temperature Rating	T6 (CID1) / T3C (CID2)	
CERTIFICATION	Certification	UL844, UL 8750, UL1598A, FCC, UL1598	
	Environment	IP66	
	Material Usage	RoHS compliant; no mercury	
	Warranty	5-year standard warranty*	
QUALIFICATION	DesignLights Consortium	DLC Standard	

MOUNTING OPTIONS:

Hardware required to alter the standard mounting option into other variations is not provided by Maxlite



Pendant Mount



Ceiling Mount



Hanging Chain Mount



Pipe Mount