



Item No. _____

772

Soft Serve Freezer

Two Flavor

Features

Offer all the popular soft serve variations from low or non-fat ice creams to custards, yogurt, and sorbet in two separate flavors.

Freezing Cylinder

Two, 7 quart (6.6 liter).

Mix Hopper

Two, 20 quart (18.9 liter). Separate hopper refrigeration (SHR) maintains mix below 41°F (5°C) during Auto and Standby modes.

Indicator Lights

Add Mix light alerts operator to add mix.

Solid State Controls

Thermistor control precisely monitors temperature to maintain consistent quality.

Standby

During long no-use periods, the Standby feature maintains safe product temperatures in the mix hopper and freezing cylinder.

Two Locking Casters

Front casters have a locking feature for operators to keep equipment in place. The locking casters can be released to move the equipment for cleaning.



772

750 N. Blackhawk Blvd. Rockton, Illinois 61072
800-255-0626
Phone 815-624-8333 Fax 815-624-8000
www.taylor-company.com
info@taylor-company.com

ISO 9001:2015
Registered Firm



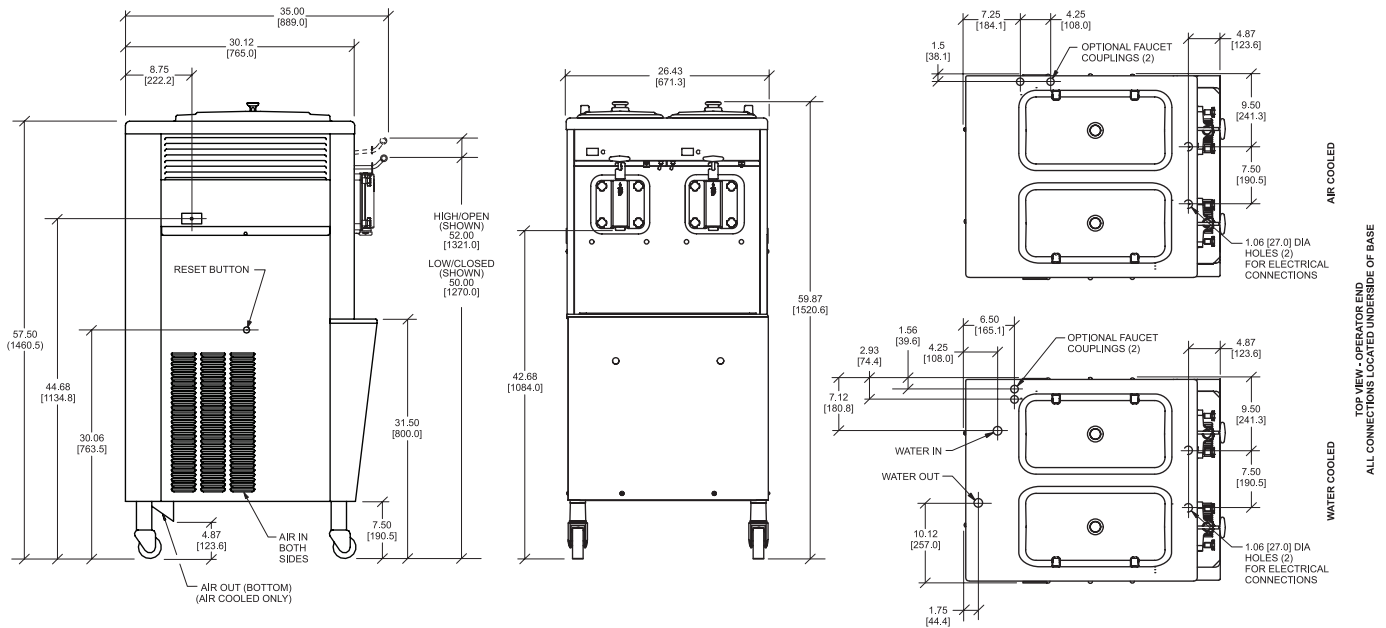
Standard 6



LISTED
SA2650



Selected 50/60
Hz. Models



FIGURES IN BRACKETS INDICATE MILLIMETERS / DECIMAL DIMENSIONS EQUAL TO (PLUS OR MINUS 1/16 INCH [1.5mm]).

Weights	lbs.	kgs.
Net	630	285.8
Crated	700	317.5

*For reference only

	cu. ft.	cu. m.
Volume	46.2	1.3

Dimensions	in.	mm.
Width	26-7/16	672
Depth	35	889
Height	59-7/8	1521
Floor Clearance	7-1/2	191

*Mounted on standard casters

Electrical	Maximum Fuse Size		Minimum Circuit Ampacity		Poles (P) Wires (W)
	Left	Right	Left	Right	
208-230/60/1 Air	35	30	27	23	2P 3W
208-230/60/1 Water	30	30	24	23	2P 3W
208-230/60/3 Air	25	20	19	15	3P 4W
208-230/60/3 Water	20	20	17	15	3P 4W
460/60/3 Air	15	12	13	9	3P 4W
220-240/50/1 Air	30	25	24	20	2P 3W

This unit may be manufactured with other electrical characteristics and may have additional regulatory agency approvals. Consult the local Taylor distributor for other electrical characteristics and agency approvals based on specific electrical and country requirements.

(For exact electrical information, approval marks, and refrigerant, always refer to the data label of the unit.)

Continuing research results in steady improvements; therefore, these specifications are subject to change without notice.

Bidding Specs

Electrical: Volt _____ Hz _____ ph _____
 Neutral: Yes No Cooling: Air Water NA

Options:

All options may not be available in combination with others or with all electrical or cooling configurations. Please consult your local Taylor distributor.

Authorized Taylor Distributor

Specifications

Electrical

Two dedicated electrical connections are required. See the electrical chart for the proper electrical requirements. Manufactured to be permanently connected. Consult your local Taylor distributor for cord and receptacle specifications as local codes allow.

Beater Motor

Two, 2.0 hp.

Refrigeration System

Two, 9,200 BTU/hr. R449A.

Separate Hopper Refrigeration (SHR), one, 400 BTU/hr. R134a. (BTUs may vary depending on compressor used.)

Air-Cooled

Minimum 3" (76 mm) around all sides. Install the deflector provided to prevent recirculation of warm air. Minimum air clearances must be met to ensure adequate airflow for optimum performance.

Water-Cooled

Water inlet and drain connections underside of base 3/8" FPT.

Accessories

- Cone Dispenser
- Faucet
- Hopper Locks
- Panel Spinner
- Syrup Rail Kit (side mount)



750 N. Blackhawk Blvd.
 Rockton, Illinois 61072
www.taylor-company.com