



## Submittal Data Sheet

1.0-Ton Round Flow Sensing Cassette

FXFQ12TVJU

### FEATURES

- True 360 Airflow distribution and three-room sensors enables optimized occupant comfort and efficiency
- Optional self-cleaning filter panel to further increase efficiency and reduce maintenance costs
- Individually controlled supply air louvers for comfortable air supply
- Improved efficiency with new DC fan motor and auto logic that adjusts fan speed based on space load
- Industry leading flexibility with 23 possible airflow patterns
- Integral condensate pump with up to 26-1/2" lift
- Standard Limited Warranty: 10-year warranty on compressor and all parts



### BENEFITS

- Compact design to allow for installation in small ceiling voids
- Very low sound levels increase flexibility regarding location of the unit
- Increased indoor air quality with high efficiency filter options & ventilation connection kit
- Automatic occupancy dependent Set back function to save energy

Daikin North America LLC, 5151 San Felipe, Suite 500, Houston TX, 77056  
[www.daikinac.com](http://www.daikinac.com) [www.daikincomfort.com](http://www.daikincomfort.com)

(Daikin's products are subject to continuous improvements. Daikin reserves the right to modify product design, specifications and information in this data sheet without notice and without incurring any obligations).



## Submittal Data Sheet

1.0-Ton Round Flow Sensing Cassette

FXFQ12TVJU

### PERFORMANCE

Indoor Unit Model No.	FXFQ12TVJU	Indoor Unit Name	1.0-Ton Round Flow Sensing Cassette
Type:	Cassette	Rated Cooling Conditions:	Indoor (°F DB/WB): 80 / 67 Ambient (°F DB/WB): 95 / 75
Rated Cooling Capacity (Btu/hr):	12,000	Rated Heating Conditions:	Indoor (°F DB/WB): 70 / 60 Ambient (°F DB/WB): 47 / 43
Sensible Capacity (Btu/hr):	9,700	Rated Piping Length (ft):	
Cooling Input Power (kW):	0.030	Rated Height Separation (ft):	
Rated Heating Capacity (Btu/hr):	13,500		
Heating Input Power (kW):	0.03		

### INDOOR UNIT DETAILS

Power Supply (V/Hz/Ph):	208-230/60/1	Airflow Rate (HH/H/L)	441/406/353
Power Supply Connections:	L1, L2, Ground	Moisture Removal (Gal/hr):	
Min Circuit Amps MCA (A):	0.3	Gas Pipe Connection (in):	1/2 (flare)
Max Overcurrent Protection MOP (A):	15	Liquid Pipe Connection (in):	1/4 (flare)
Dimensions (HxWxD) (in):	9-11/16 x 33-1/16 x 33-1/16	Condensate Connection (in):	1 1/4
Net Weight (lb):	42	Sound Pressure (H/L) (dBA):	29/27
Ext. Static Pressure (Rated/Max) (inWg):		Sound Power Level (dBA):	

Daikin North America LLC, 5151 San Felipe, Suite 500, Houston TX, 77056  
[www.daikinac.com](http://www.daikinac.com) [www.daikincomfort.com](http://www.daikincomfort.com)

(Daikin's products are subject to continuous improvements. Daikin reserves the right to modify product design, specifications and information in this data sheet without notice and without incurring any obligations).

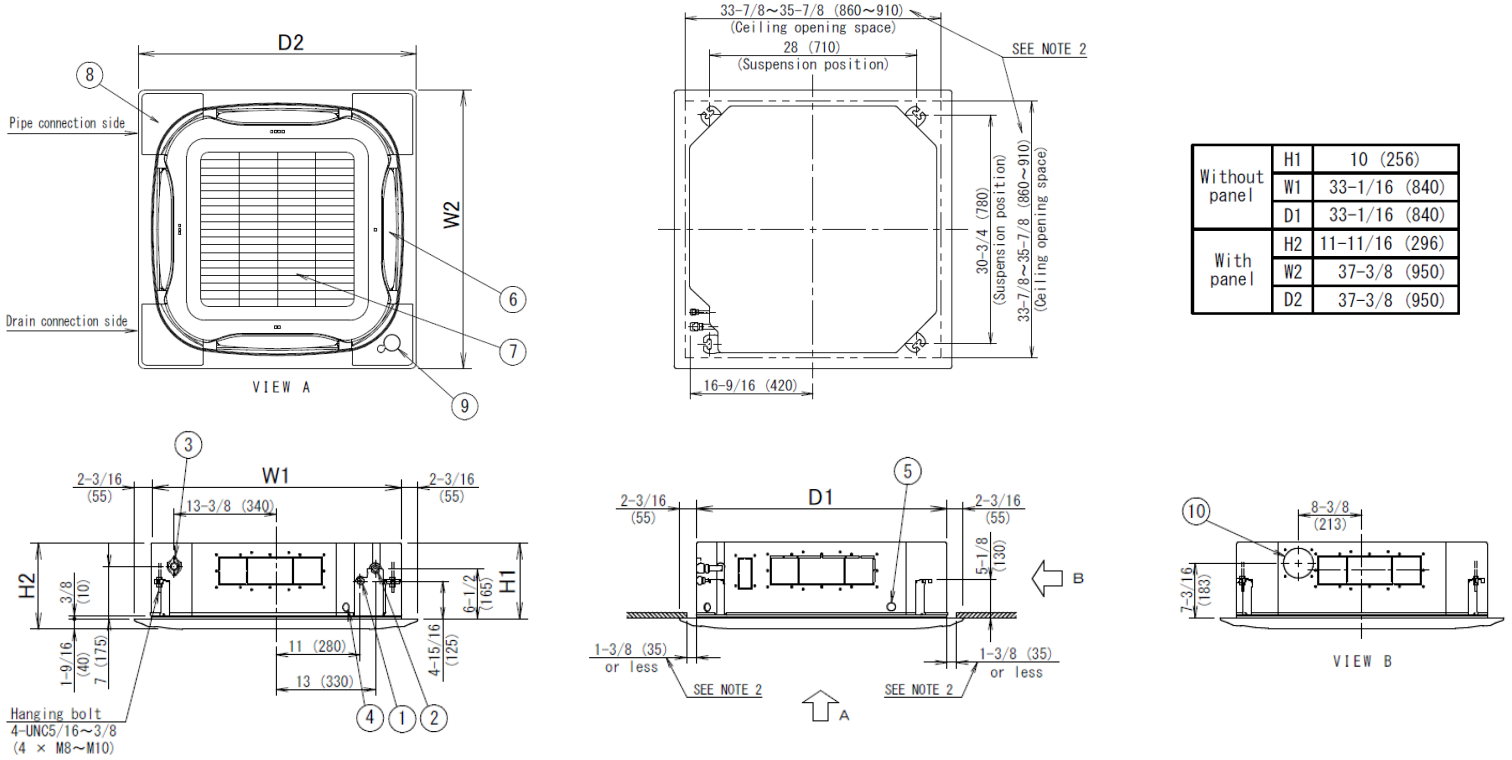


# Submittal Data Sheet

1.0-Ton Round Flow Sensing Cassette

FXFQ12TVJU

## DIMENSIONAL DRAWING



Without panel	H1	10 (256)
	W1	33-1/16 (840)
	D1	33-1/16 (840)
With panel	H2	11-11/16 (296)
	W2	37-3/8 (950)
	D2	37-3/8 (950)

ITEM	PART NAME	REMARK
1	Liquid pipe connection	Φ1/4 (φ6.4) Flare connection
2	Gas pipe connection	Φ1/2 (φ12.7) Flare connection
3	Drain pipe connection	VP25 (O.D. φ1-1/4 (φ32), I.D. φ1 (φ25))
4	Power supply connection	
5	Transmission wiring connection	
6	Air Outlet	
7	Air Inlet grille	
9	Sensor	Infrared presence sensor Infrared floor sensor
10	Knock out hole	φ3-15/16 (φ100)

Notes) 1. Location of the nameplates:

- Unit body: on the control box cover.
- Decoration panel: on the panel frame at the motor side under the corner cover.

2. Make sure the spacing between the ceiling and the cassette is no more than 1-3/8" (35mm).  
MAX ceiling opening: 35-7/8" (910mm).

3. When the conditions exceed 86°F (30°C) and RH 80% in the ceiling or fresh air is inducted into the ceiling an additional insulation is required (polyethylene foam, thickness 3/8" (10mm) or more).

Daikin North America LLC, 5151 San Felipe, Suite 500, Houston TX, 77056  
[www.daikinac.com](http://www.daikinac.com) [www.daikincomfort.com](http://www.daikincomfort.com)

(Daikin's products are subject to continuous improvements. Daikin reserves the right to modify product design, specifications and information in this data sheet without notice and without incurring any obligations).