



Submittal Data Sheet

4.0-Ton MSP Concealed Ducted Unit

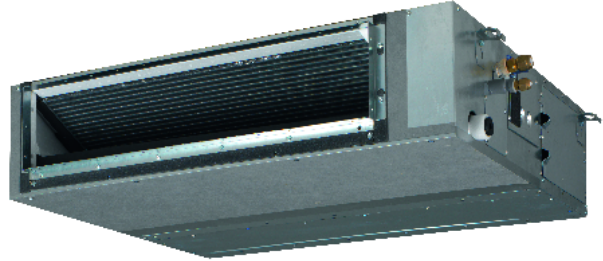
FXSQ48TAVJU

FEATURES

- Eleven capacity options from 5,800 Btu/h to 54,000 Btu/h
- External static pressure up to 0.6 in. w.g. (150 Pa)
- Low profile height of 9-5/8" (245 mm) for all models
- 5-speed DC fan motor with selectable Auto fan speed
- Ease of installation with auto adjusting airflow at commissioning based on external static pressure
- Independently configurable auxiliary heat on/off temperature settings
- Factory rear-return, field convertible to bottom-return
- Integral condensate pump with up 25-5/16" (643 mm) of lift from the drain outlet
- Drain pan inspection port
- Standard Limited Warranty: 10-year limited parts warranty

BENEFITS

- Requires as little as 11-1/4" (285 mm) of clearance above the ceiling thanks to the low profile design.
- Auto fan speed control optimizes fan energy use by automatically adjusting the unit's fan speed as the room temperature approaches the set point.
- The drain pan inspection port simplifies maintenance by allowing for simple and easy inspection of the drain pan conditions.
- Designed for quiet operation, with sound levels as low as 28 dB(A).





Submittal Data Sheet

4.0-Ton MSP Concealed Ducted Unit

FXSQ48TAVJU

PERFORMANCE

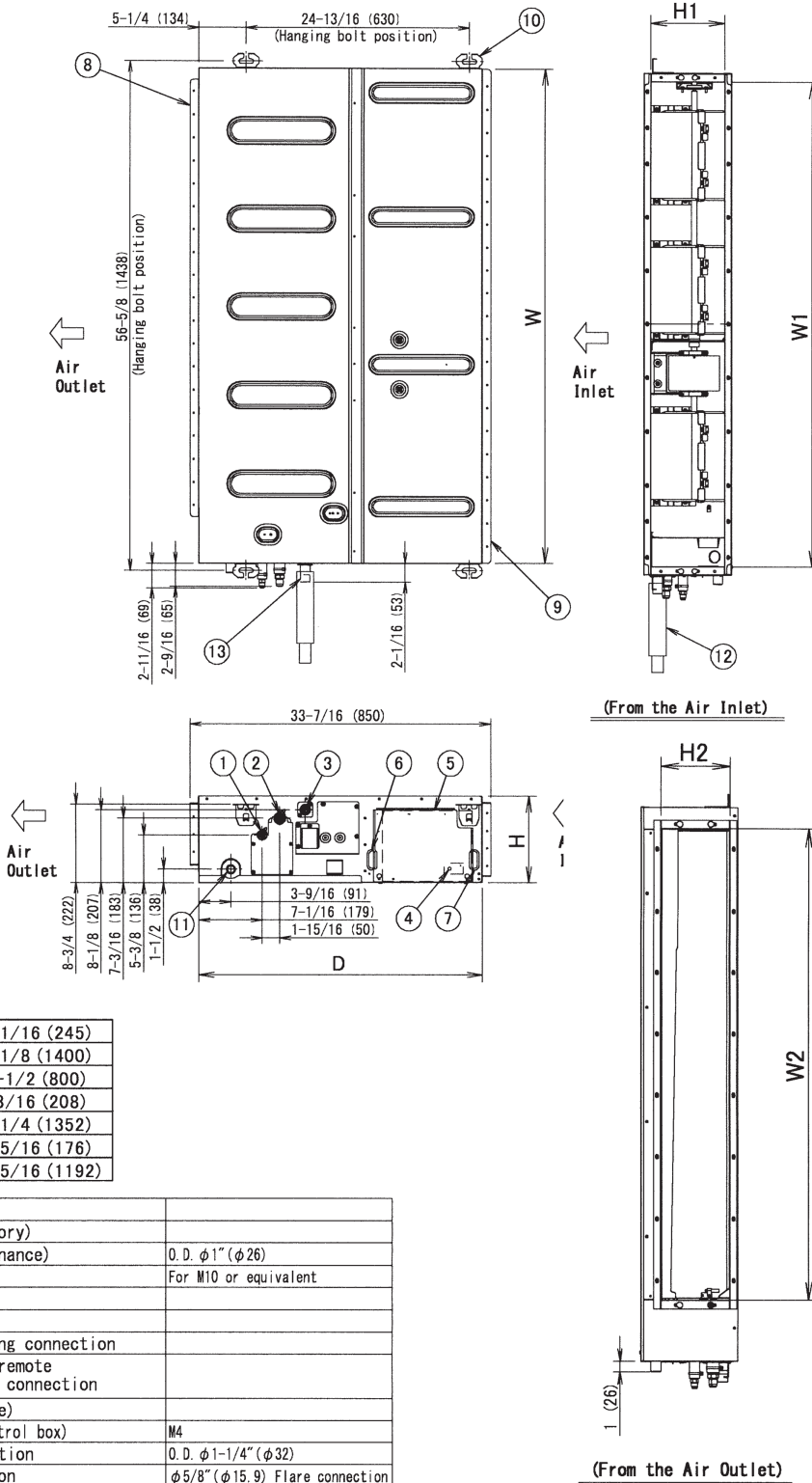
Indoor Unit Model No.	FXSQ48TAVJU	Indoor Unit Name:	4.0-Ton MSP Concealed Ducted Unit
Type:	Ducted	Rated Cooling Conditions:	Indoor (°F DB/WB): 80 / 67 Ambient (°F DB/WB): 95 / 75
Rated Cooling Capacity (Btu/hr):	48,000	Rated Heating Conditions:	Indoor (°F DB/WB): 70 / 60 Ambient (°F DB/WB): 47 / 43
Sensible Capacity (Btu/hr):	34,300	Rated Piping Length(ft):	
Cooling Input Power (kW):	0.360	Rated Height Separation (ft):	
Rated Heating Capacity (Btu/hr):	54,000		
Heating Input Power (kW):	0.36		

INDOOR UNIT DETAILS

Power Supply (V/Hz/Ph):	208/230 / 60 / 1	Airflow Rate (H/M/L) (CFM):	1307/1,112/918
Power Supply Connections:	L1, L2, G	Moisture Removal (Gal/hr):	
Min. Circuit Amps MCA (A):	2.8	Gas Pipe Connection (inch):	5/8
Max Overcurrent Protection (MOP) (A):	15	Liquid Pipe Connection (inch):	3/8
Dimensions (HxWxD) (in):	9-5/8 x 55-1/8 x 31-1/2	Condensate Connection (inch):	1
Net Weight (lb):	104	Sound Pressure (H/M/L) (dBA):	42/39/35
Ext. Static Pressure (Rated/Max) (inWg):	0.2 / 0.6	Sound Power Level (dBA):	70

Submittal Data Sheet
 4.0-Ton MSP Concealed Ducted Unit
 FXSQ48TAVJU

DIMENSIONAL DRAWING



H	9-11/16 (245)
W	55-1/8 (1400)
D	31-1/2 (800)
Air Inlet	H1 8-3/16 (208)
	W1 53-1/4 (1352)
Air Outlet	H2 6-15/16 (176)
	W2 46-15/16 (1192)

ITEM	PART NAME	REMARK
1 3	Drain socket	
1 2	Drain hose (Accessory)	
1 1	Socket (for maintenance)	O. D. ϕ 1" (ϕ 26)
1 0	Hanger	For M10 or equivalent
9	Air Inlet flange	
8	Air Outlet flange	
7	Power supply wiring connection	
6	Transmission and remote controller wiring connection	
5	Control box (inside)	
4	Ground terminal (Control box)	M4
3	Drain pipe connection	O. D. ϕ 1-1/4" (ϕ 32)
2	Gas pipe connection	ϕ 5/8" (ϕ 15.9) Flare connection
1	Liquid pipe connection	ϕ 3/8" (ϕ 9.5) Flare connection

Note: For additional dimensional data and clearance information, refer to Engineering Data

Daikin North America LLC, 5151 San Felipe, Suite 500, Houston, TX, 77056

Daikin City Generated Submittal Data

www.daikinac.com www.daikincomfort.com

(Daikin's products are subject to continuous improvements. Daikin reserves the right to modify product design, specifications and information in this data sheet without notice and without incurring any obligations)

Submittal Date: 9/12/2018 8:56:13 AM

Page 3 of 3