



# Blue Ion LX-HV Grid Optional™ Energy Solution



Energy from renewables like solar is variable, leaving people still tethered to the utility grid with limited options to disconnect. Blue Planet Energy tames energy to make clean power work on demand and brings new options to leave the grid behind. Our Blue Ion LX-HV is a premium Grid Optional™ energy solution that integrates the energy storage, system intelligence and site controls needed to be grid-free. Blue Ion LX-HV is flexible and can also work in conjunction with the grid or generators in order to optimize using them, providing you the widest range of energy options. Built in Chicago, Blue Ion LX-HV is ruggedized for use cases where energy is absolutely critical (emergency services/healthcare) or prohibitively high-cost (business continuity/utility rate structures).



**Grid Optional™**  
Functions with or without  
the Utility Grid



**Fully Scalable**  
up to 2MW



**Operating  
Temperature Range:**  
-4°F to 113°F (-20°C to 45°C)



**100% Usable  
Capacity**



**21 Year Life  
Expectancy  
(8,000 Cycles)**

**REMOVABLE  
SERVICE ENTRANCE**  
For safe serviceability

**TUNABLE  
COOLING SYSTEM**  
Is adjustable for  
environmental conditions

**RUGGED EXTERIOR**  
Made of corrosion resistant galvanized and stainless steel components, plus a durable, textured powder coat finish for protection against harsh conditions

**HIGH VOLTAGE  
DISCONNECT SWITCH**  
Is externally accessible  
for emergency safety

**INTEGRATED  
SITE CONTROLS**  
Via an industry-leading  
15.6" touchscreen

**LOCK AND  
KEY CAM LATCH**  
For secure access only

**FIRE-SAFE  
BATTERY CHEMISTRY**  
With additional system  
safeguards built in

**ECO-FRIENDLY  
AIR FILTER**  
Is washable and reusable



**PEST RESISTANT  
UNDERSIDE PAN**  
Is removable and sealable

**INDUSTRY FIRST ZERO-  
DISPLACEMENT DOOR HINGE**  
Allows for easy serviceability  
without sacrificing energy density

**HEIGHT ADJUSTABLE  
STAINLESS FEET**  
To accommodate  
installation requirements

# Model Number

Blue Ion LX-HV

Grid Optional™ Energy Solution

## System Technical Specifications

SYSTEM SIZE	125kW/128kWh
EXPANDABLE	125kW and 32kWh increments
DIMENSIONS PER 32kWh CABINET (H x W x D)	76 in x 24 in x 32 in (193.04 cm x 60.96 cm x 81.28 cm)
DIMENSIONS TOTAL (125kW/128kWh SYSTEM, H x W x D)	76 in x 119.6 in x 32 in (193.04 cm x 121.92 cm x 81.28 cm)
MOUNTING	Adjustable Feet, Seismic Wall Mount and Floor Mount
ALTITUDE LIMITATIONS	16,404 ft (5,000 m) at Full Power

## Applications

OFF-GRID	Generation source agnostic, generator interface, load control, islanding capable, resiliency
GRID INTERCONNECTED	Microgrid with full grid interactivity and full off-grid capability, zero export, self consumption, tariff optimization, demand management, load shifting

## Battery Specifications

STORAGE TEMPERATURE RANGE	-4°F to 113°F (-20°C to 45°C)
DISCHARGE TEMPERATURE RANGE	-4°F to 122°F (-20°C to 50°C)
CHARGE TEMPERATURE RANGE	32°F to 113°F (0°C to 45°C)
OPERATING AMBIENT HUMIDITY	10% RH to 90% RH
ENCLOSURE TYPE	Indoor (NEMA 1)
PERFORMANCE WARRANTY	15 Years or 8,000 Cycles to 70%* Remaining Capacity (100% DoD)
COOLING NOISE dB	65dB
C-RATE	1C*
CHEMISTRY	Lithium Ferrous Phosphate
WEIGHT	1,300 lb (590 kg) for 32kW increment

\* Refer to warranty documentation

## Controller Specifications

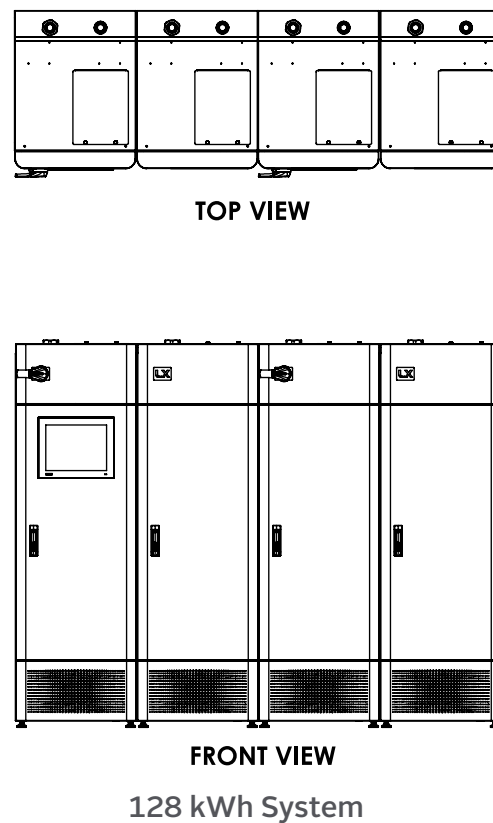
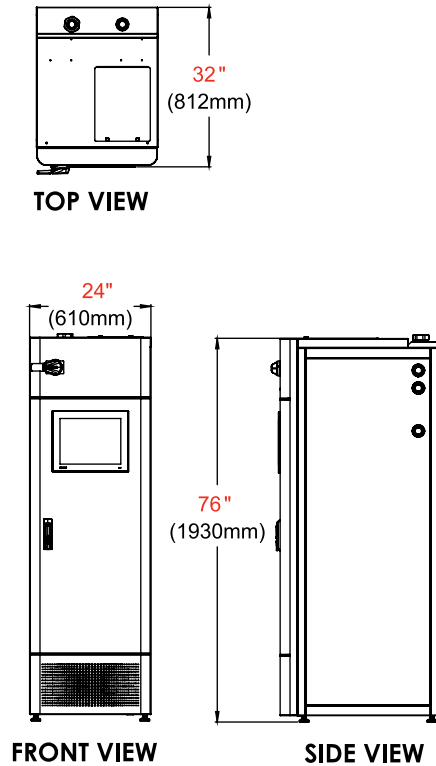
DATA ACCESS	Cloud, Local Area Network and/or Screen on LX-HV
-------------	--

## Compliance Information

CERTIFIED TO	UL 9540, UL 9540A, UL 1642, UL 1741, UL 1973, UN 38.3, UL 1741 SA, IEEE 1547, Rule 21, HECO Listed
EMISSIONS	FCC Part 15 Class B, ICES-003 Class B



All dimensions = inch (mm)



**BLUE PLANET**  
ENERGY

**Blue Planet Energy**  
55 Merchant St., 17th Floor  
Honolulu, HI 96813

**1.866.957.2246**  
sales@blueplanetenergy.com  
blueplanetenergy.com