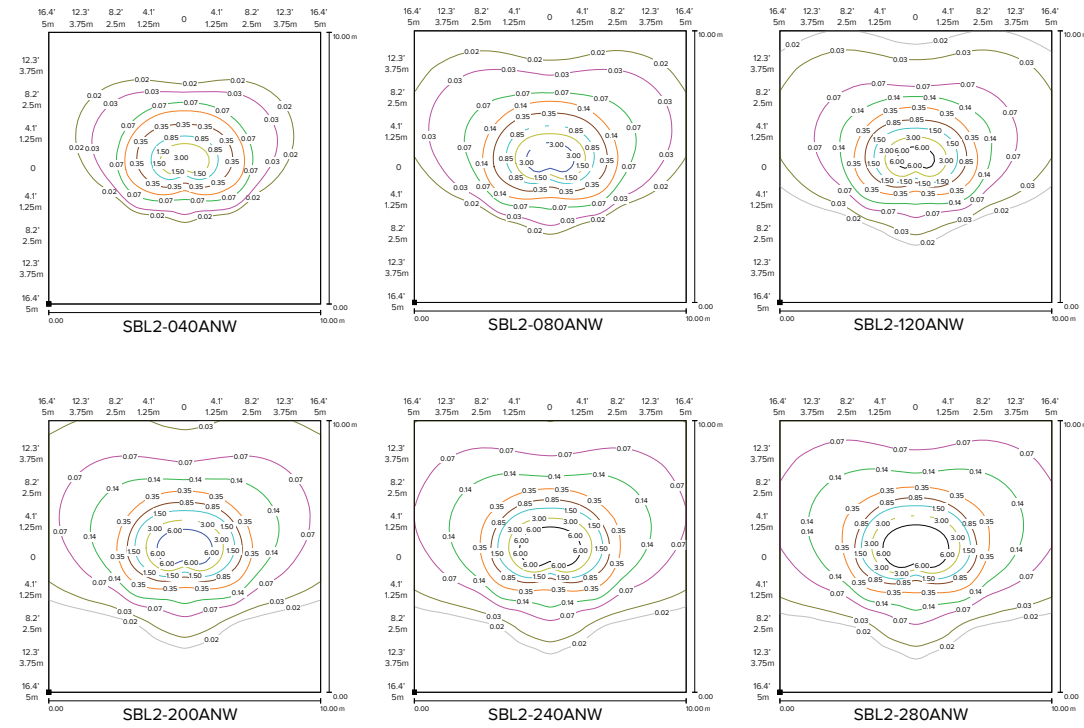


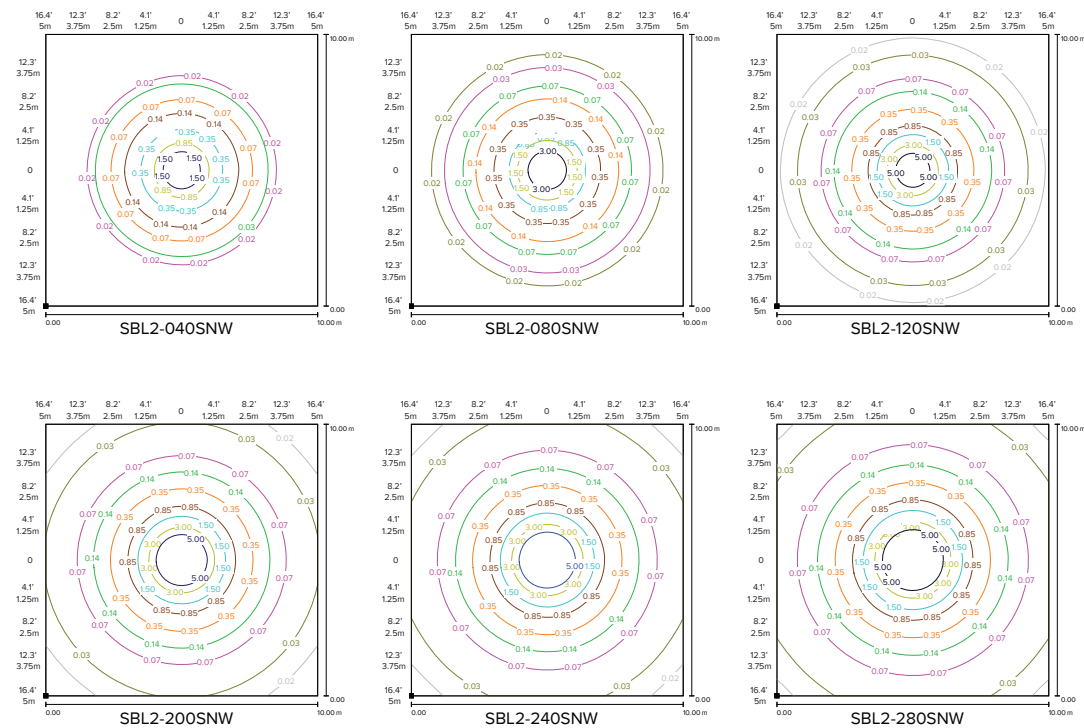
ASYMMETRICAL 4000K

ISOLUX Grid: 10m / 32.8ft x 10m / 32.8ft
Illuminance Value: (lux)
Height: 1m / 39"

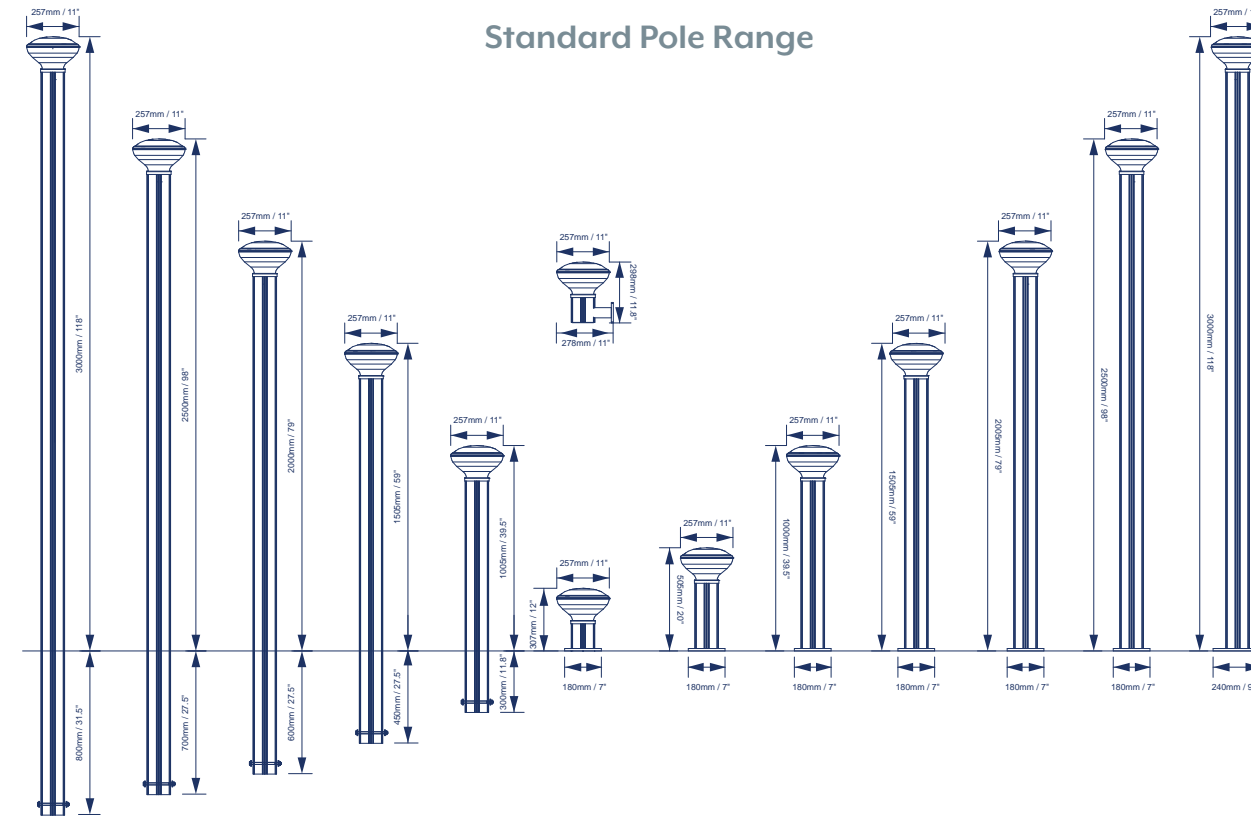


SYMMETRICAL 4000K

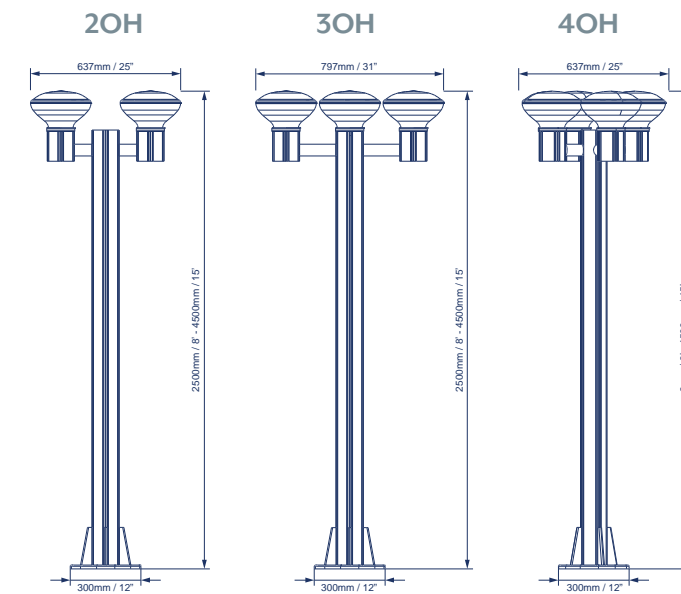
ISOLUX Grid: 10m / 32.8ft x 10m / 32.8ft
Illuminance Value: (lux)
Height: 1m / 39"



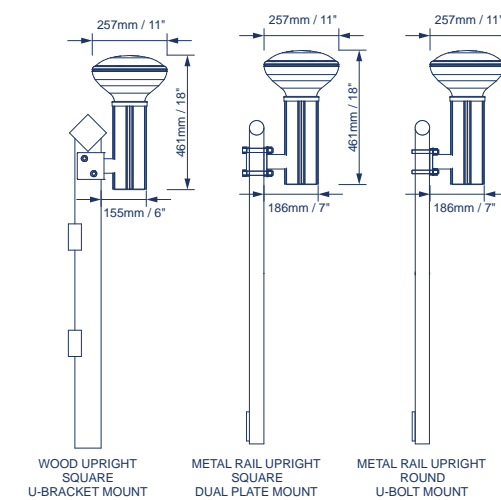
Standard Pole Range



Multi Light Pole Range



Conveyor / Rail Mount Pole Range



- ☎ 1300 388 213
- ☎ +61 7 3910 3888
- ✉ sales@solarbollardlighting.com
- 🌐 www.solarbollardlighting.com



Green Energy Solutions, Inc.
1296 N. Marine Corps Drive,
Tamung, Guam
P: +671-647-8111
E: info@gesiworld.com

10 YEARS



- ✓ 10 YEAR WARRANTY
- ✓ IP68 SUBMERSIBLE
- ✓ IK10 VANDAL RESISTANT
- ✓ NO POWER BILLS
- ✓ SIMPLE & LOW INSTALL COSTS
- ✓ CLEAN ENERGY LIGHTING
- ✓ MINIMAL MAINTENANCE
- ✓ 100% RECYCLABLE
- ✓ INSTALL YOURSELF



SBL2 SERIES S MODEL





SBL2 - S Model

The 3rd generation SBL2 Model solar powered bollard light was specifically designed to be capable of submersion (IP68) for lighting of Pathways, Driveways, Laneways, Stairways, Marinas, Pontoon/Jetties, Floating Walkways, in public, mining and military locations where cyclones-hurricanes-typhoons, tidal surges, tsunamis, and generalised flooding is prominent.

Most solar bollard lights will not operate in fully shaded locations, Solar Bollard Lighting have solved this issue with the SBL2 Series innovative power controlled models capable of operating in full shade 365 days of the year.

Every project globally, has an initial geographical location and shade assessment applying the 'Power In = Power Out' equation, based on the sunlight profile during the winter solstice at the precise location of installation. Using this solstice snapshot, we account for the longest winter nights, and the low-tracking sun when shadows are longest.

This ensures a reliable long term solar lighting installation enabling Solar Bollard Lighting to provide a 10-year warranty on product and performance.

KEY FEATURES

- ✓ Low cost and quick installation, no trenching, cabling or wiring required
- ✓ IP68 Certified submersible IK10 Certified can withstand impact from floating/flying debris & vandalism
- ✓ Up to 70% more real autonomy than competitors at full power
- ✓ Isolated from power outages for continuous illumination
- ✓ 10 Year Australian manufacturer product and performance warranty
- ✓ 100% Recyclable Product



ORDER MATRIX

| POWER MODEL | LED CONFIGURATION | STANDARD MOUNTING CODE | DIMENSION | INSTALLED HEIGHT WITH LIGHT ATTACHED | POLE FINISH OPTIONS |
|-------------|--|--|---------------|--------------------------------------|--|
| 040 - 40mA | ANW | -130WM | 130mm/5.1" | 290mm / 11.4" | A - 25um Anodised Silver (Default Colour) PC - BLACK (NIGHT SKY) (Default Colour) |
| 080 - 80mA | SNW | -142BP | 142mm/5.6" | 302mm / 11.9" | CUSTOM FINISH OPTIONS CPC - Powder Coat - Various Colours* CA - 25um Anodised - Various Colours* CEA - EverShield Anodised - Various Colours* (under 15 poles - Minimum Order Loading cost applies) * Custom Order Option have longer lead time MOUNTING DESCRIPTION WM - Wall Mount Bracket DB - Direct Bury BP - Base Plate RAIL MOUNTING DESCRIPTION RR - Round Rail Metal - SS U-Bolts FR - Flat Rail Metal - Dual Plate Brackets WR - Wooden Rail U-Shape Bracket MULTI-LIGHT MOUNTING DESCRIPTION Two (2) Light Pole - add 2 after Pole Finish Three (3) Light Pole - add 3 after Pole Finish Four (4) Light Pole - add 4 after Pole Finish |
| 120 - 120mA | AWW | -292R RR / FR / WR | 1840mm/79" | 2000mm / 79" | |
| 160 - 160mA | SWW | -840BP | 840mm/33" | 1000mm / 39.4" | |
| 200 - 200mA | LED DESCRIPTION | -1140DB | 1140mm/44.9" | 1000mm / 39.4" | |
| 240 - 240mA | | ANW Asymmetrical (180°) 4000K +/- LED | -1340BP | 1340mm/53" | |
| 280 - 280mA | SNW Symmetrical (360°) 4000K +/- LED | -1790DB | 1790mm/70.4" | 1500mm / 59" | |
| | AWW Asymmetrical (180°) 3000K +/- LED | -1840BP | 1840mm/79" | 2000mm / 79" | |
| | SWW Symmetrical (360°) 3000K +/- LED | -2440DB | 2440mm/96.5" | 2000mm / 79" | |
| | | -2340BP 2 / 3 / 4 | 2340mm/92" | 2500mm / 98" | |
| | | -30402DB | 3040mm/119.6" | 2500mm / 98" | |
| | | -2840BP 2 / 3 / 4 | 2840mm/111.8" | 3000mm / 118" | |
| | | -3640DB | 3640mm/143" | 3000mm / 118" | |
| | | -3340BP2 / 3 / 4 | 3340mm/131.5" | 3500mm / 138" | |
| | | -3840BP2 / 3 / 4 | 3840mm/151" | 4000mm / 157" | |
| | | -4340BP2 / 3 / 4 | 4340mm/171" | 4500mm / 177" | |

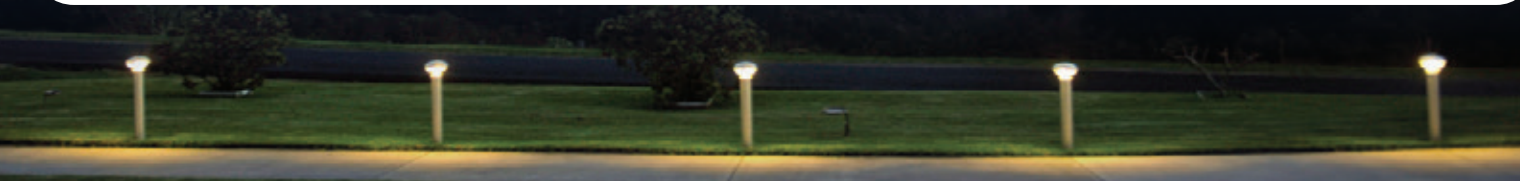
Ordering Example :

SBL2-160ANW-1140DBPC = 160mA Asymmetrical Natural White Light on 1140mm/44.9" Black Powder Coated Direct Bury Pole

| | Power Model | LED Colour/Distribution | Standard Mount Code | Pole Finish Option | Custom Finish Code |
|------|-------------|-------------------------|---------------------|--------------------|--------------------|
| SBL2 | 160 | ANW | - 1140DB | PC | |

If Applicable

NOTES: Specifications subject to change without notice



TECHNICAL SPECIFICATIONS



| | |
|------------------|--|
| DOME COVER | Sabic Lexan™ SLX Copolymer (Extreme UV Resistance) |
| LOWER HOUSING | Sabic PC (High Impact Resistance / High UV Stabilisation) |
| INTERNAL PARTS | Starex ASA Copolymer |
| LED CHIP | 8 x 5mm SuperFlux LED Asymmetrical Light Distribution 4000K (Natural White) / 3000K (Warm White) Symmetrical Light Distribution 4000K (Natural White) / 3000K (Warm White) |
| VOLTAGE | 3.2VDC (ELV - no UL certification required for USA) |
| OPERATE TEMP | -30°C ~ +60°C ambient (runs safely up to 100°C) |
| MAINTENANCE | Annual clean and polish (for peak performance) |
| WARRANTY | 10 Years (subject to SBL Warranty T&Cs) |
| CERTIFICATIONS | IP68 (AS/NZS 60529:2004 IPx8, IP4x, IP6x) IK10 (IEC 62262:2002) Photometric (IESNA LM-79-08) CE |
| LUMINAIRE WEIGHT | Net Weight 2.88kg (6.4lbs) |

| SOLAR MODULE | |
|----------------|---|
| Wattage | 5w Mono-Crystalline |
| Vmp (V) | 5V |
| Imp (A) | 1 Amp |
| Design Life | > 10 Years (100% output) |
| BATTERY | |
| Type | 3.2V 17Ah Cylindrical LiFePo4 |
| Cycles | ≥ 3700 |
| Design Life | ≥ 10 Years (correct mA model used for install location) |
| ELECTRONICS | |
| Design Life | > 10 Years |
| Runtime | Dusk until Dawn full power |
| On/Off Control | Solar Panel Voltage |
| POLES | |
| Material | 6106 T6 Aluminium Marine Grade |
| Grade | High Tensile / Light Weight |
| Durability | High Corrosion Resistance |
| Collar | 25um Anodised Aluminium |
| Hardware | Security Bolts 4 x M6 - 316 SS |