

Performance Data

Model NO.	System Watts	Lumens*	Efficacy*
LED-WR4-45S	42W	5018 lm*	118 lm/W*
*Lumen and efficacy are based on 5000K			

Specification:

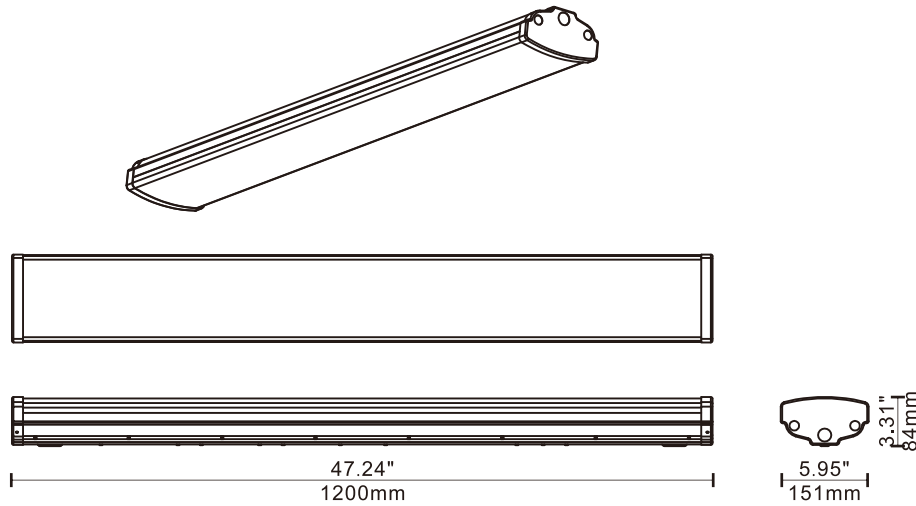
Example: LED-WR4-S

Model No.	System Watts	Input Voltage	CRI	Color Temp	Finish	Option
LED-WR4-45S	42W	UNV= 120-277VAC	8=80+	40= 4000 K 50=5000 K	WH=White	BLANK = No Sensor OS = External/Internal Occupancy Sensor

* Different LED Kelvin temperature available with 4-6 week lead time. Please call for a quote.

** DISCLAIMER: This test report was produced in accordance with IES LM-79 photometric testing protocol for luminaires, using a single representative test fixture. Actual production units may vary from the values reported here by up to ±10%.

Dimension:



Scan QR CODE
for more information



* Different LED Kelvin temperature available with 4-6 week lead time. Please call for a quote.

** DISCLAIMER: This test report was produced in accordance with IES LM-79 photometric testing protocol for luminaires, using a single representative test fixture. Actual production units may vary from the values reported here by up to ±10%.